

SPECIFICATIONS

GRAPHIC PANEL SIZE

Finished graphic panel size
2300 x 800mm
(Includes 200mm bleed)

Visual graphic area
2100 x 800mm

Maximum finished graphic panel thickness
250 micron

SYSTEM SIZES

Boxed size

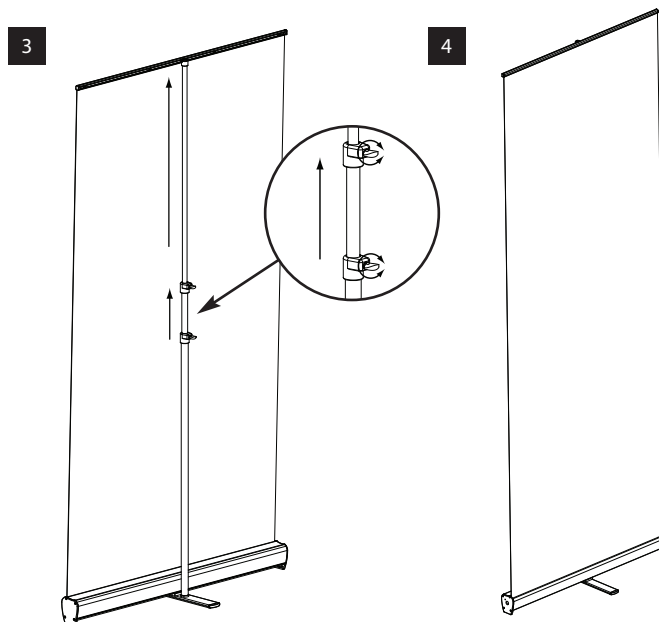
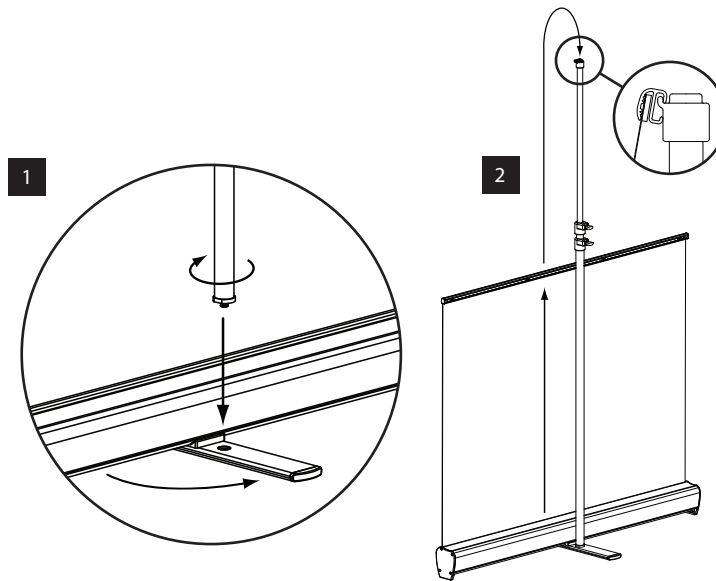
850 (L) x 105 (W) x 105 (D)mm

Assembled size

815 (W) x 270 (D) x 2185 (H)mm

BOXED WEIGHT

1,95kg



IMPORTANT NOTICE:
When retracting a graphic always slowly guide it into base housing, otherwise graphic damage may occur.