

ANACONDA

STATIC BANNER STANDS

STATIC BANNER STANDS

STATIC BANNER STANDS



Magnetically attached panels

Sturdy frame



Telescopic pole

plex
DISPLAY
banner stands

ANACONDA

STATIC BANNER STAND

ANACONDA IS A **HEAVY DUTY TELESCOPIC BANNER STAND** SYSTEM WITH A STURDY SILVER FRAME, THE SYSTEM HOLDS GRAPHIC PANELS UP TO 3M TALL AND 1M WIDE IN A **SINGLE OR TWIN SIDED** FORMAT. ANACONDA SYSTEMS OFFER EASY ASSEMBLY WITH NO TOOLS REQUIRED.

FEATURES

- Sturdy telescopic silver frame that extends from 1500mm to 3000mm
- Heavy duty laser cut, interlocking steel base
- Suits graphic panels 600mm, 800mm or 1000mm wide
- Offers single or twin sided graphic displays with magnetically attached graphic panels
- Supplied complete with a handy carry bag

ACCESSORIES

- Wide range of spotlighting options available
- Optional range of literature units to hold A4, A5 or D1 brochures



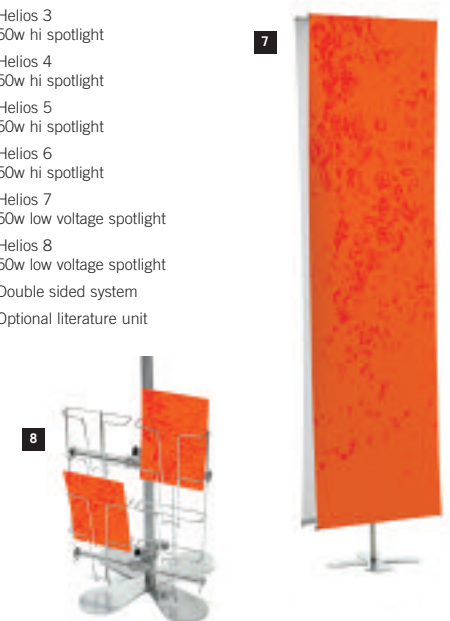
plex
DISPLAY
banner stands

TELESCOPIC FRAME

IDS



1. Helios 3
50w hi spotlight
2. Helios 4
50w hi spotlight
3. Helios 5
50w hi spotlight
4. Helios 6
50w hi spotlight
5. Helios 7
50w low voltage spotlight
6. Helios 8
50w low voltage spotlight
7. Double sided system
8. Optional literature unit



STATIC BANNER STANDS

HEAVY DUTY BASE

SINGLE OR DOUBLE SIDED

LIGHTING OPTIONS

SPECIFICATIONS

GRAPHIC PANEL SIZES

Minimum graphic panel size
1000 x 1000 / 800 / 600mm

Maximum graphic panel size
3000 x 1000 / 800 / 600mm

Maximum finished graphic panel thickness
250 micron

SYSTEM SIZES

Unassembled (packed in bag)

1000 / 800 / 600mm
= 1170 (W) x 150 (D) x 150 (H)mm

Assembled

1000 = 1000 (W) x 400 (D) x 3000 (H)mm
800 = 800 (W) x 400 (D) x 3000 (H)mm
600 = 600 (W) x 190 (D) x 3000 (H)mm

WEIGHTS (INCLUDING GRAPHIC & BAG)

Single sided

1000mm = 7.7 kg
800mm = 7.2 kg
600mm = 6.7 kg

Double sided

1000mm = 9.9 kg
800mm = 8.9 kg
600mm = 7.9 kg

Average weight of the add on literature unit
0.7kg

COMPONENT LIST

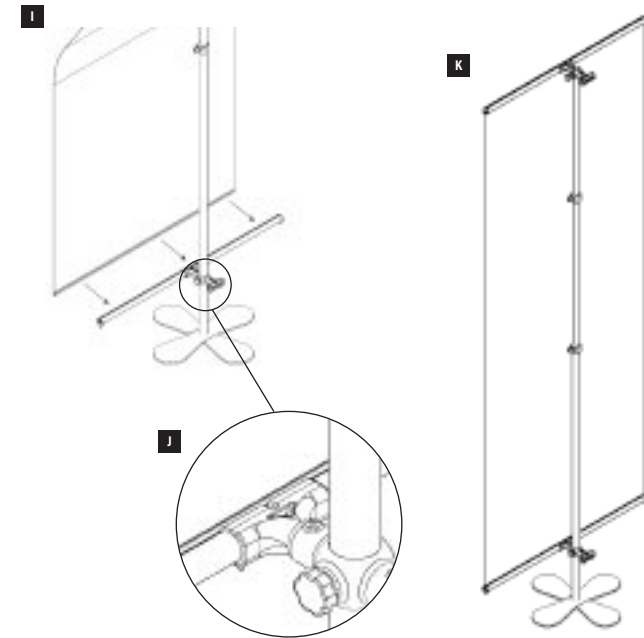
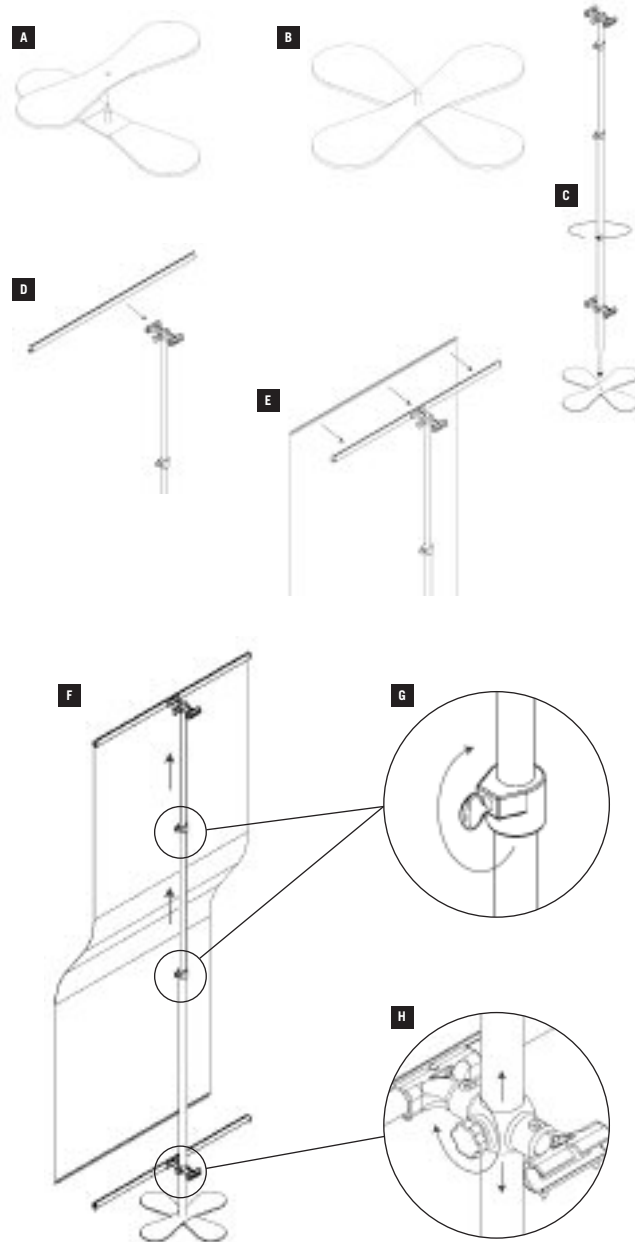
- 2 part base
- 3 part telescopic pole
- 4 graphic hanging bars
- Padded carry bag and tube

plex
DISPLAY

Issue 2 - Jan 2005

ANACONDA

ASSEMBLY INSTRUCTIONS



GRAPHIC ATTACHMENT

