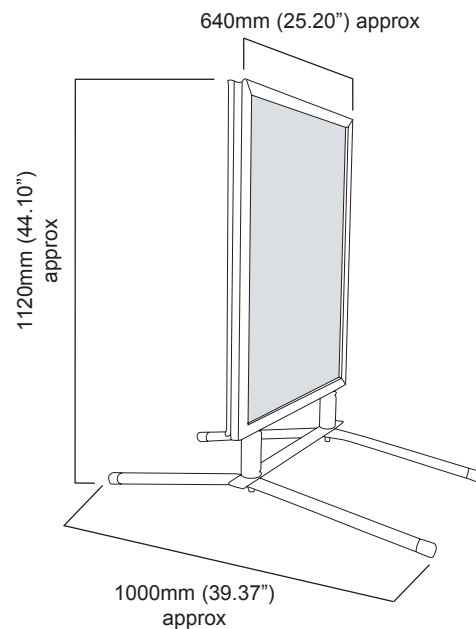


*Polar is a heavy-duty double sided swing sign for displaying A1 posters. The sign has steel feet with a wide footprint for extra stability. The snap frame poster holders make changing your message extremely quick and simple.*



## features & benefits

- Easy front loading, aluminium snap frames
- Suitable for indoor or outdoor use
- Heavy duty construction
- Double sided
- Available in A1 portrait format
- Complete with UPVC protective graphics covers
- Flat packed for easy transportation



### hardware specifications

Assembled dimensions:  
1120mm (h) x 640mm (w) x 1000mm (d) approx  
44.10" (h) x 25.20" (w) x 39.37" (d) approx

Weight:  
16.75kg (36.93lbs) approx

### graphic specifications

Maximum Graphic Dimensions:  
841mm (h) x 594mm (w) approx  
33.11" (h) x 23.39" (w) approx

Visible Graphic Dimensions:  
820mm (h) x 570mm (w)  
32.28" (h) x 22.44" (w)

Substrate:  
1mm (0.039") thick maximum  
For outdoor use encapsulate graphic  
or use suitable substrates

### additional info

Availability:  
Aluminium frame with  
Anodised silver finish

# Assembly Instructions



Kit includes: Poster frame inc steel frame, 2 support legs and 7mm Allen key



Using the 7mm Allen key remove both bolts from the spring base. This will release the steel frame from the poster frame.



Feed a bolt through the hole in the support leg (head of bolt nearest floor) **Ensure a washer is fitted to the bolt.**



Feed the bolt through the hole in the steel frame.



Fasten the leg to the spring using the bolt (hand tighten)



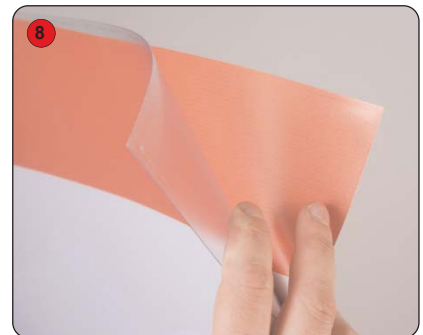
Using the 7mm Allen key fasten the leg securely to the spring. Repeat steps 2 to 5 for the 2nd leg then stand the unit up.



Open the snap frame edges. Start with the top and then open the other sides.



Remove the protective outer cover.



Align the protective outer cover to the graphic poster.



Fit the poster and protective outer cover into the snap frame recess.



Close the snap frame sides with the palm of an open hand.

